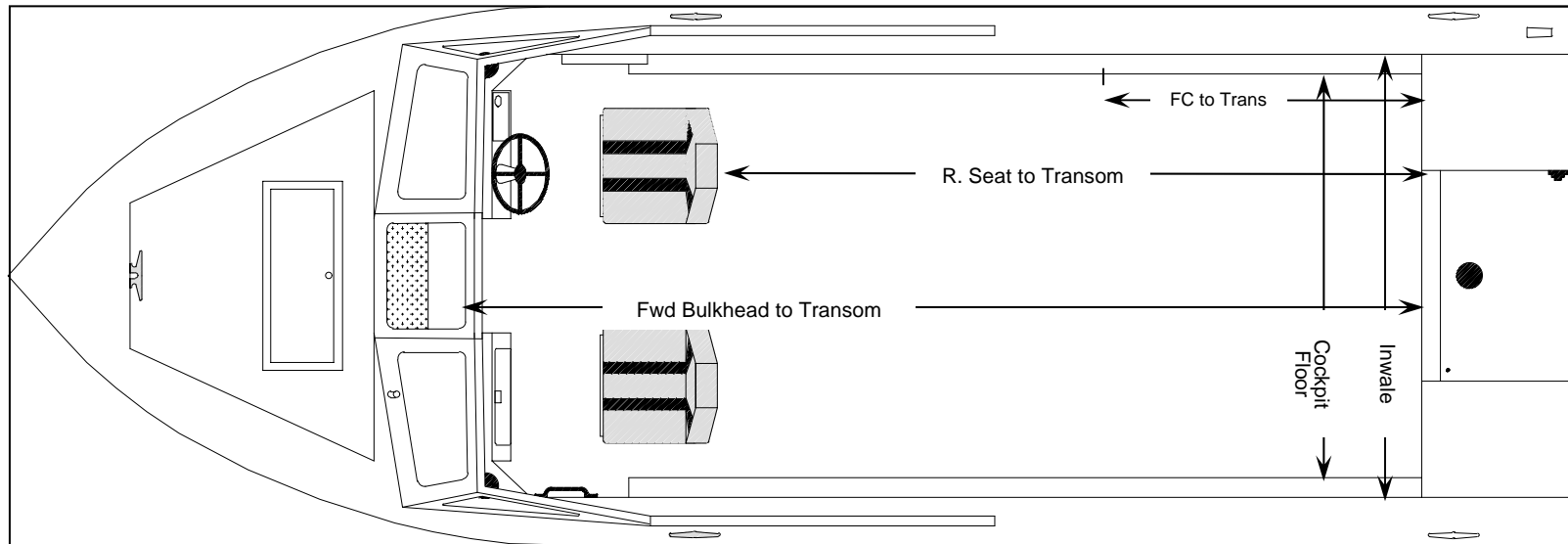


Preliminary Ver. E

Sportsman Baseline



MEASUREMENT	160 SM	180 SM	200 SM
Cockpit: inwale x length	70" x 105"	70" x 126"	70 x 150"
Cockpit floor width (between flotation trays)	66"	66"	66"
Rear Seat to Transom	32"	87"	111"
Fish curtain to Transom – Standard top & Long Jump seats	19"	43"	70"
Fish Curtain to Transom --Short Deluxe & Short jump seats	28"	52"	61"
Fish curtain to Transom – Long Deluxe & Long Jump seats	23"	48"	65"

Please note: These measurements are approximations only. Due to tolerances in manufacturing, variations will occur.