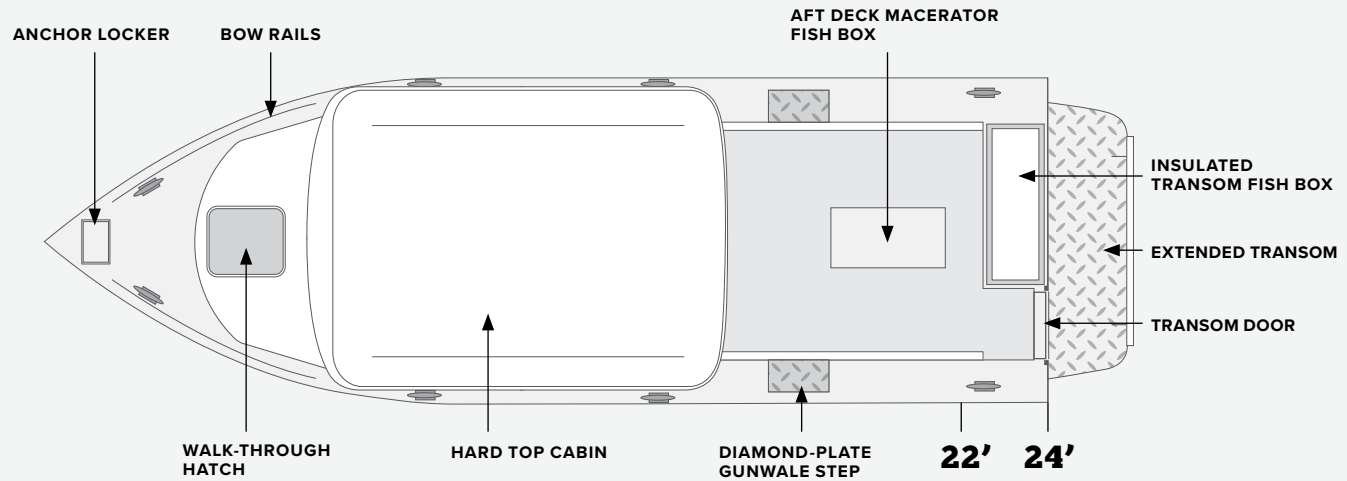


PACIFIC CRUISER 22' | 24'

OPEN UP YOUR WEEKEND

Families in the Pacific Northwest love this boat. Its large heated cabin includes a sleeper v-berth, dinette options, and a galley with sink and cooktop, making this perfect for overnighting. Outside, the sizable fishing cockpit allows for multiple lines to hook up simultaneously; don't worry, there's plenty of room for everybody. Bring your buddies, bring your family – the opportunities are wide open.





MODEL

220 HT

240 HT

	RLC	RLC
OVERALL LENGTH	24'8"	26'8"
BEAM	102"	102"
MAX. HP	275	300
FUEL TANK	85 Gal	100 Gal
INSIDE DEPTH	30"	30"
DEADRISE FORWARD	35°	35°
DEADRISE AMIDSHIPS	21°	20°
DEADRISE AFT	14°	13°
BOTTOM GAUGE	.190"	.190"
BOTTOM WIDTH	84"	84"
SIDE GAUGE	.125"	.125"
SIDE HEIGHT	35"	35"
TRANSOM (W x H)	99.5" x 25.5"	99.5" x 25.5"
PERSON CAPACITY	8	9
PERSON WT. CAPACITY (LBS)	1320	1485
MAX WT. CAPACITY (LBS)	3183	3518
BOAT DRY WT. (LBS)	3600	4100
FISHING COCKPIT (W x L)	80" x 64"	80" x 88"
CABIN DIMENSIONS (W x L x H)	85.5" x 78" x 77"	85.5" x 78" x 77"

TOP: HARD TOP ONLY WITH LOCKABLE REAR BULKHEAD DOOR



HALF DINETTE TABLE



GALLEY WITH STOVE HEATER COMBO