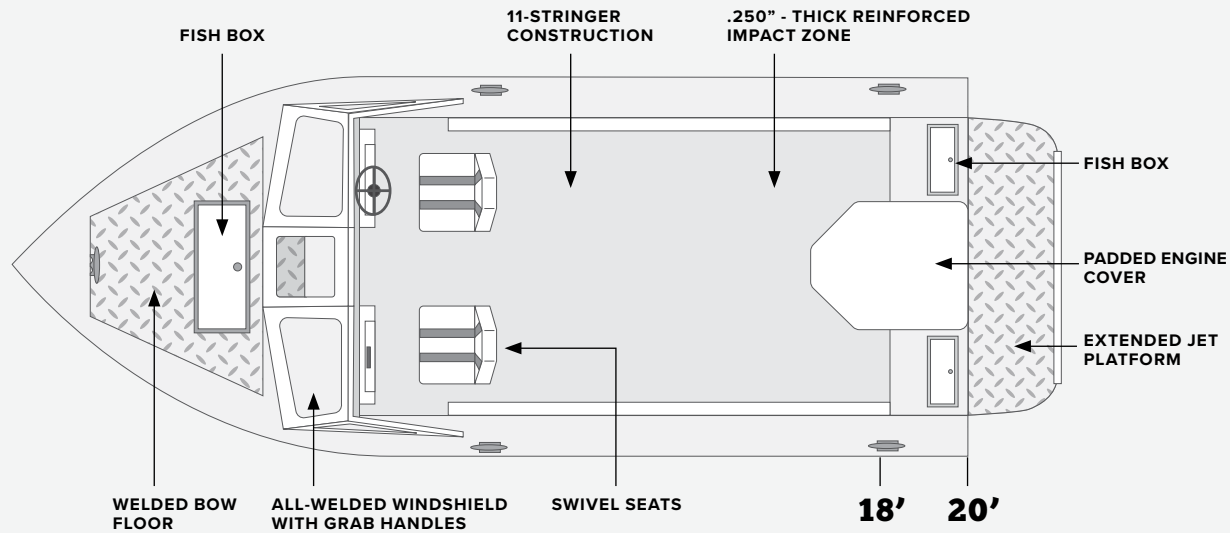


RIVER RUNNER 18' | 20'

EXPLORE FAR AND WIDE

As the seasons change, so do your favorite rivers and lakes. The fishing does not stop, and neither do you. Built on an updated reinforced hull, the River Runner combines our proprietary tunnel design with BRP's 250HP Rotax inboard jet. This boat is the ultimate shallow water experience. Explore far and wide as you open up areas others can't.





MODEL

180

200



OVERALL LENGTH	18'2"	20'2"
BEAM	86"	86"
MAX. HP	250	250
FUEL TANK	34 Gal	43 Gal
INSIDE DEPTH	27"	27"
DEADRISE FORWARD	31°	31°
DEADRISE AMIDSHIPS	11°	11°
DEADRISE AFT	10°	10°
BOTTOM GAUGE	.190"	.190"
BOTTOM WIDTH	66"	66"
SIDE GAUGE	.100"	.100"
SIDE HEIGHT	29"	29"
TRANSOM (W x H)	85" x 20.5"	85" x 20.5"
PERSON CAPACITY	5	7
PERSON WT. CAPACITY (LBS)	825	1155
MAX WT. CAPACITY (LBS)	1008	1252
BOAT DRY WT. (LBS)	1950	2100
FISHING COCKPIT (W x L)	70" x 129.5	70" x 150"

TOP: SOFT-TOP ONLY

ENGINE: 200 OR 250 HP ROTAX INBOARD JET ENGINE AVAILABLE ON BOTH MODELS

